

# IT-WPS3

*IP66 Waterproof outdoor installation power supply unit for LED Illuminators.*

- Waterproof power supply unit with “U” bracket.
- Output DC12V 3000mA.

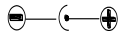


## Technical Specifications

**Input:** AC110-220V

**Frequency:** 50-60HZ

**Output:** DC12V 3000mA

**Output plug:** DC12V male plug 

**Install bracket:** “U” bracket

**Working temperature:** -30°C to +50°C

**Housing:** Aluminum die-casting housing

**Protection level:** IP66

**Color:** Black

**Net weight:** 0.65 kg

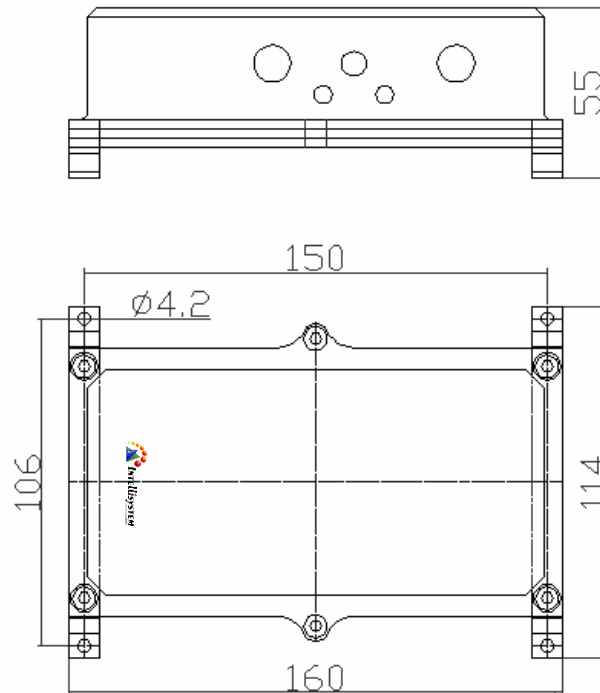
**Gross weight:** 0.8 kg

**Dimensions:** 160\*114\*55mm

**Packing dimensions:** 220\*125\*105mm

## Drawing and Dimensions

Unit: mm



## Operate Instructions

1. The junction of Input and output cable must be downward to avoid water in.
2. Input cable must be grounded, ensure lightning protection measures.
3. Don't use against any fire precaution rules during operation.
4. Install and adjust by professional electrician or quality technician.
5. Do not open the case and remove the power supply.